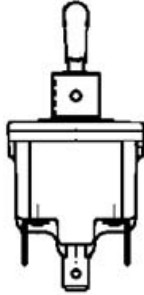




2NT91-7



NT Series Toggle Switch, 2 pole, 3 position, Quick Connect terminal, Standard Lever

Actual product appearance may vary.

Features

- Completely sealed switching chamber
- NEMA 3, 3R, 4, and 13
- UL recognized, File E12252, Vol. 1, Section 44
- CSA certified, File LR4442
- CE approved

Potential Applications

- Aerial lifts, scissor lifts, truck mounted tele-handlers, and cranes
- Construction equipment
- Agriculture equipment
- Material-handling equipment
- Factory-floor control units
- Machine tool equipment manufacturers

Description

MICRO SWITCH™ NT Series toggle switches meet the need for a rugged, cost-effective toggle switch. Quality construction features include a seal between the toggle lever and bushing, and between the cover and case. These switches can be used where panels are subject to splashes, hosedowns, or outdoor environments. The "Easy-Start" threaded bushing enables quick alignment of mounting nut to decrease the chance of cross threading. The panel stand-off with O-ring feature available on some listings, eliminates the need for behind-the-panel hardware, provides uniform panel height, and provides a panel to cover seal.

Product Specifications		
Circuitry/Operating action	<p>Keyway Position</p> <p>1 2 3</p>	<p>Opposite Keyway Position</p> <p>1 2 3</p>
	<p>6 5 4</p> <p>ON</p>	<p>6 5 4</p> <p>ON</p>

Product Type	MICRO SWITCH™ Toggle Switch
Ampere/Voltage Range (Resistive Load)	0.75 A at 115 Vdc,0.5 A at 250 Vdc,0.5 A to 18 A at 0.5 Vdc to 28 Vdc,0.5 A to 10 A at 0.5 Vac to 277 Vac
Circuitry	DPDT
Action	3 position
Mounting	Bushing 15/32 in
Termination	Quick Connect
Lever Type	Standard
UL/CSA Rating Code	L192: 10 A-125, 250, 277 Vac; 1/4 Hp-125 Vac; 1/2 Hp-250, 277 Vac; 3 A-125 Vac "L"
Comment	Thermoplastic case
Availability	Global
UNSPSC Code	30211908
UNSPSC Commodity	30211908 Toggle switches
Series Name	NT

CATALOG LISTING 2NT91 SERIES CHART 1

PAGE 1 OF 1

ISSUE 8

REPLACES -

CHECK

REVISIONS

A C095305

TSM 9NOV99

B C094360

TSM 19NOV99

C 203131

DLT 23MAY01

D 207782

LJB 27MAR03

E 0002302

C S L 10 DEC 03

CHECK

9NOV99

SAV

CHECK

9NOV99

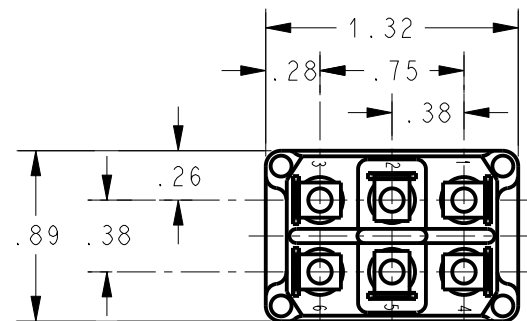
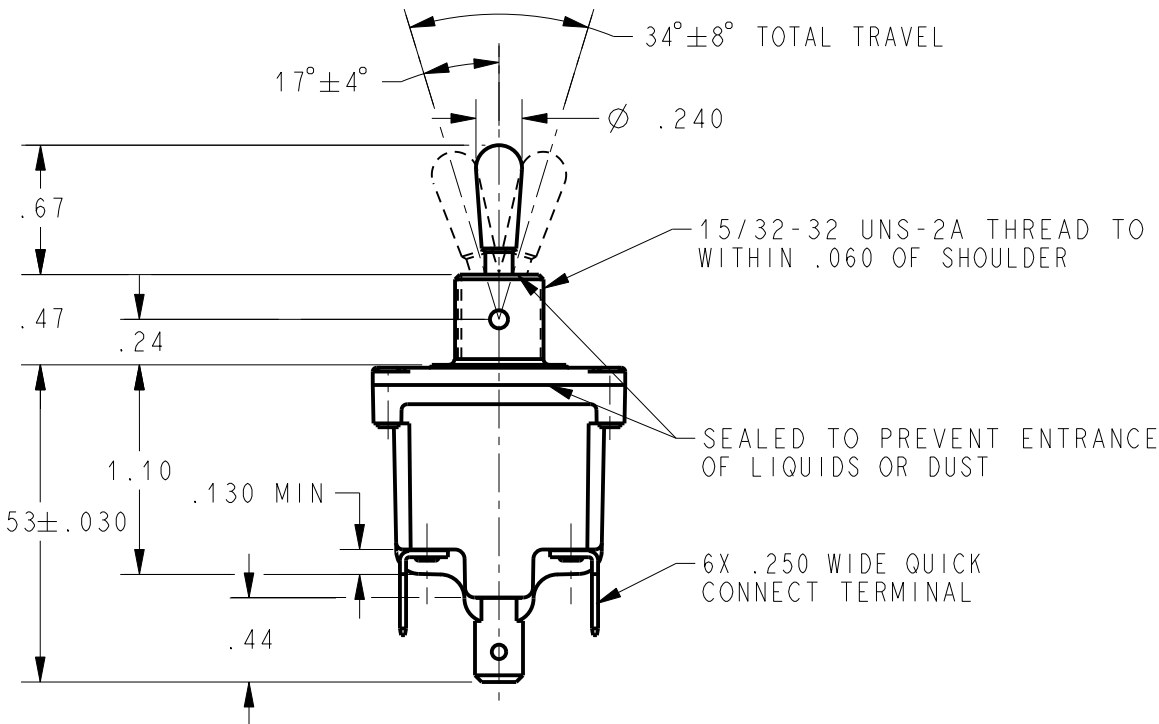
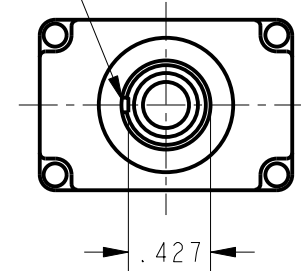
DRAWN

PTC/CAD 2D

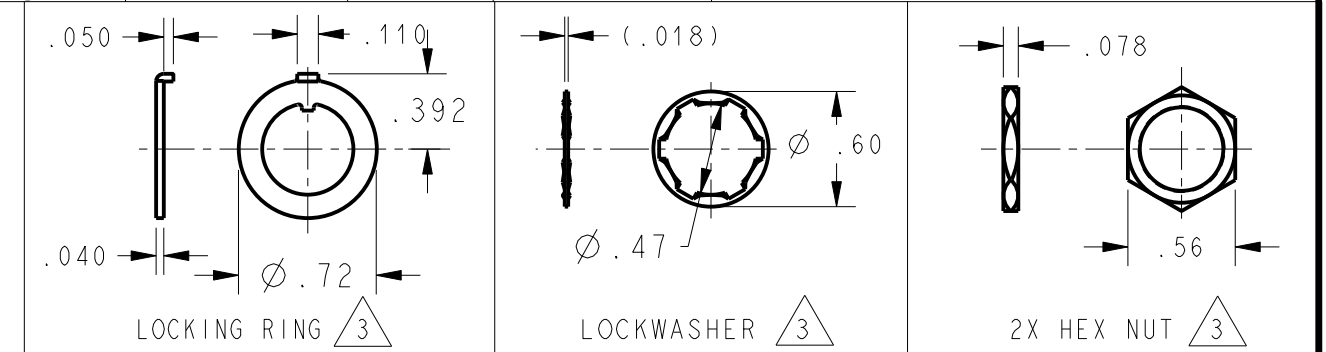
TSM 9NOV99

ANSI Y14.5M-1982 APPLIES

.076±.008 WIDE KEYWAY



CATALOG LISTING	CIRCUIT MADE WITH TOGGLE LEVER IN			ELECTRICAL DATA
	KEYWAY SIDE (1-2, 4-5)	CENTER (1-2, 4-5)	OPPOSITE KEYWAY (2-3, 5-6)	
2NT91-1	ON	OFF	ON	L191 15A 125, <u>250</u> , 277 VAC 1/2HP 125 VAC 1HP <u>250</u> , 277 VAC 5A 125 VAC "L"
2NT91-2	OFF	NONE	ON	
2NT91-3	ON	NONE	ON	
	NONE	OFF	ON	
	NONE	ON	ON	
	MOM OFF	NONE	ON	L192 10A 125, <u>250</u> , 277 VAC 1/4HP 125 VAC, 1/2HP <u>250</u> , 277 VAC 3A 125 VAC "L"
2NT91-5	MOM ON	OFF	ON	
2NT91-6	MOM ON	NONE	OFF	
2NT91-7	MOM ON	OFF	MOM ON	
2NT91-8	MOM ON	NONE	ON	
	NONE	ON	MOM ON	
	MOM ON	OFF	NONE	



NOTES

- 1 - SWITCHES ARE CAPABLE OF WITHSTANDING A TEMPERATURE OF 160°F CONTINUOUSLY AT FULL RATED LOAD
- 2 - MICROSWITCH CAT. LIST. MARKED ON SIDE OF SWITCH FURNISHED UNASSEMBLED
- APPLIES ONLY TO "ON" AND "MOMENTARY ON" POSITIONS
- TO ORDER WITHOUT HARDWARE ADD (-NH) SUFFIX TO CATALOG LISTING
- 5 -

THIRD ANGLE PROJECTION	
SCALE	FULL
DO NOT SCALE PRINT	
UNLESS OTHERWISE SPECIFIED TOLERANCES ARE	
ONE PLACE	(.0) ±.030
TWO PLACE	(.00) ±.015
THREE PLACE	(.000) ±.005
ANGLES	±
WEIGHT	.15 LBS APPROX